

### Features

Wide measuring range  
 Stainless steel 304  
 0.5% accuracy  
 Over load pressure X2 PR  
 core elements adopt high performance oiled diffusion silicon



### Introduction

TAG - SML series of pressure transmitter are cost effective products featuring mass production and low cost. They are widely used to detect the pressure of gas and liquid like water and nature gas.

The products are made of stainless steel. the pressure sensing elements are selected from well-known international brands. Special circuits are adopted to zero and full range conveniently. The products are approved with CE, intrinsically safe, and explosion proof certificates.

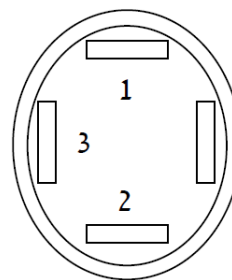
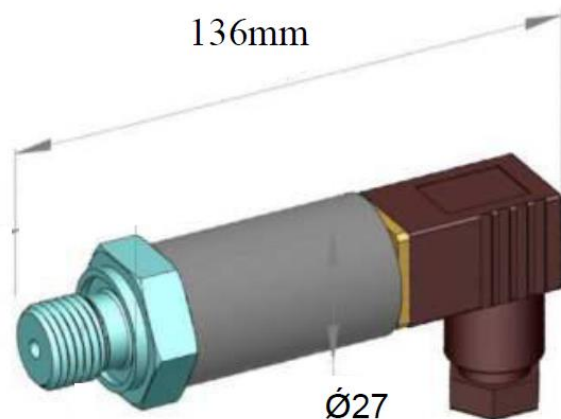
Customized structures and output formats can be designed according to special application requirements, in addition to standards products.

Parameters	Value
<b>Overload Pressure</b>	2xRP(rated pressure)
<b>Broken Pressure</b>	4xRP(rated pressure)
<b>Pressure Range</b>	From 0.1 BarG up to 1000 barG (optional:absolute range)
<b>Standard Ranges</b>	0.1,0.25,0.5,1,2.5,4,6,10,16,25,40,60,100,200,250,400,600,1000 (any other range in demand)
<b>Accuracy</b>	±0.5%, 1%
<b>Stability</b>	Typical 0.25%F.S, Max 0.4%F.S
<b>Operate Temperature</b>	-40°C~85°C
<b>Compensation Temperature</b>	-10°C~70°C
<b>Media Compatibility</b>	Corrosive medium compatible with Cr18Ni9Ti , O-ring made of NBR (other wetted parts in demand)

# טג אלקטרוניקה (1975) בע"מ

## מתמר לחץ TAG SML

Wire	Two-wire	Three-wire	
Output Signal	4~20mA	0~5V	0~10V
Power Supply	12~30Vdc	10~30Vdc/ac	12~30Vdc/ac
Load Resistance	(U-10)/0.02( $\Omega$ )	>20k $\Omega$	
Insulation	>100M $\Omega$ @50V		
Elec. Connect	DIN43650, Shell protection IP65		
	GX16-7, Shell protection IP45		
	Wire protection (Five), Shell protection IP68		
Pressure Port	M20x1.5, G1/2, G1/4, NPT1/2, NPT1/4		
Response Time	10ms		
Pressure Form	Gauge G , Absolute A		
Compliant	CE, Intrinsically safe E, Explosion-proof D		
EMC	EMI: EN50081-1/-2; EMS: EN50082-2		



- 1 +Vs
- 2 -Vs resp. Iout